



Lifting Magnet NEO EP

Product information

Neo EP electropermanent lifting magnets are suitable for frequent and repeated workpiece handling and lifting – electrical control of the magnet requires no physical exertion, which is why it saves manpower and enhances work efficiency.

Neo EP electropermanent lifting magnets are a professional solution to frequent handling. It does not require much effort to install. You can easily connect it to the ordinary power supply using the supplied power cable. After electric activation, the load is held by permanent lifting magnets, without the need of subsequent power supply. Electric control with buttons allows the operator to activate the device without physical effort. Due to the optional remote control, this is also possible in locations with poor accessibility.

Neo EP can be controlled from the ground or from the crane cabin. The magnet strength control can be integrated as an optional function. This is convenient for lifting individual sheet metals.

Features:

- Control of the magnet without any physical exertion. Thanks to the optional remote control, it is also possible to control it, e.g. from a crane cabin
- High-quality, stainless steel recessed buttons
- Quick activation of the magnet with an electrical impulse in 0.8 seconds
- Magnetic module in a monoblock design
- Easy connection to the electrical power supply
- Electrical connection is only necessary for switching the magnet ON and OFF Suitable for continuous operation; it does not need a backup battery. Selectable voltage 230/400V (DC)
- Stable housing with a forged lifting eye
- Optional integration into automated operation

Material: High-quality, recessed stainless steel button.

Marking: According to standard, CE-marked

Temperature range: max. 80 °C

Standard: EN 13155

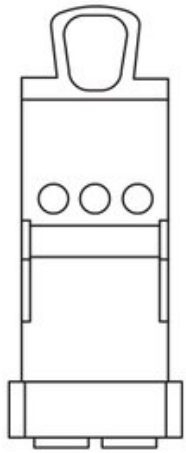
Safety factor: 3:1

Part code	Code	WLL ton	Weight kg	Delivery time
503100030000120	NEOSQ300	0.3	23	10
503100060000120	NEOSQ300	0.6	31	10
503100100000120	NEOSQ1000	1	39	10
503100400000120	NEOSQ4000	4	132	10

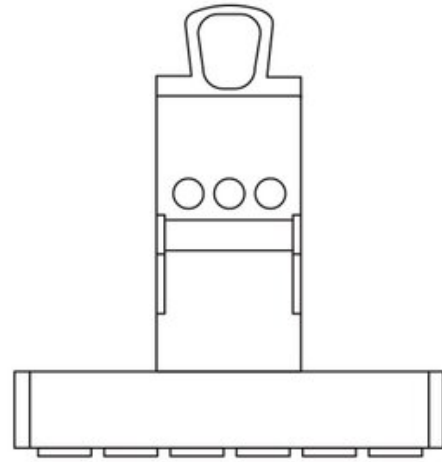
Lifting table

Code	Number of poles	Pole size (mm)	Magnetic surface (W x L) (mm)
NEOSQ300	4	50 x 50	116 x 116
NEOSQ600	6	50 x 50	52 x 372
NEOSQ1000	4	80 x 80	172 x 172
NEOSQ4000	16	80 x 80	172 x 724

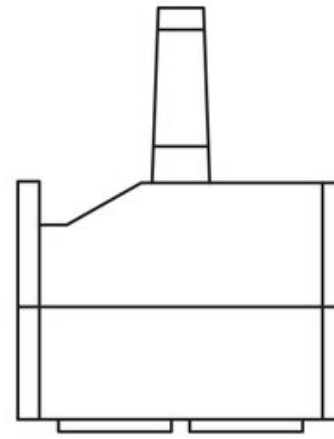
Blueprint



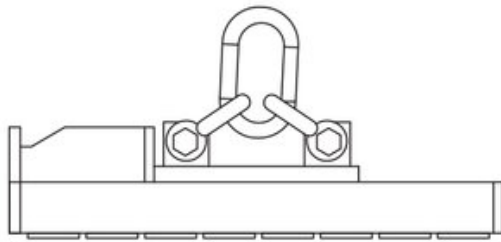
NEO EP 300



NEO EP 600



NEO EP 1000



NEO EP 4000