

Lifting Hook for Container

Product information

For use: For toplift with steel wire rope or lifting chain.

... [Read more](#)

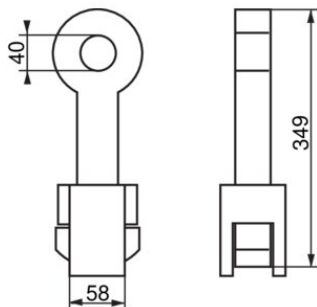


Material: Forged steel.

Finish: Galvanized.

Lifting Hook for Container

Blueprint



Lifting table

Part code	Code	SWL ton	Weight kg
7061GE11	GE.11	15	5.75