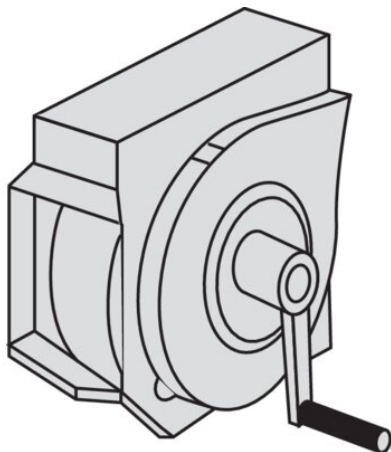


## Winch KG-801

---

### Product information



The KG-801 winch is a mechanical tensioning device designed for handling and storing up to 10 metres of webbing. It is used in load securing systems to tighten and manage webbing straps during transport. The integrated drum allows controlled winding and organised storage of excess webbing

#### Best for:

- Load securing systems using webbing straps up to 10 m
- Transport applications requiring controlled tensioning and storage

#### Product benefits:

- Integrated drum stores up to 10 m of webbing neatly
- Mechanical winch design enables controlled strap tensioning
- Supports organised load securing and reduced loose strap handling
- Suitable for transport and cargo securing applications

... [Read more](#)

---

**Finish:** Galvanized.