



## Geared Trolley POWERTEX PGT-S2

### Product information

**POWERTEX**



POWERTEX Geared Trolley PGT-S2 is a high quality, durable low built push trolley that is easy to install on horizontal beams and rails.

The trolleys can be used for I-beams with plane flanges (such as IPE, HEA or HEB types) or beams with sloping flanges (such as INP-beams).

The trolley can easily be positioned along the beam using the hand chain thanks to high quality steel wheels with bearings.

#### Features:

- Safe - All POWERTEX trolleys are proof load tested 1,5 x WLL
- Mechanical stops integrated in the design to prevent derailing
- Equipped with connection plate with eye to hoist's upper hook or direct connection
- Connection plate can be turned 90 degrees to allow direct connection to POWERTEX S2 hoists without need of intermediate hook/eye
- Rubber bumpers to absorb shock loads on impact to rail ending
- Equipped with RFID for quick registration and maintenance
- Marked with QR code to allow access to User manuals at any time
- PGT-S2 is easy to mount and dismount on a horizontal rail or beam
- The 3 piece design makes installation quick and ergonomically
- The shaft is easily locked using the Lock plate (No need to use large castle nut nor collar pins)
- Wheel shafts are robotic welded for high quality weld seams
- Large steel wheels equipped with double sided sealed bearings that do not need maintenance
- Powder painted side panels gives a nice lasting finish
- Fits most types of beam profiles and most brands of lifting blocks and electric hoists
- Longer shafts for wider beams can be supplied from stock in EU
- Can be turned into Blackline version BT by adding the included grey label over the shiny nameplate

#### Option:

- Black painted hand chain instead of galvanized hand chain

Blackline BT products are suitable to be used in theatres and entertainment industry.

**Marking:** According to standard, CE-marked, WLL, beam width, individual serial number

**Temperature range:** -10°C up to +50°C.

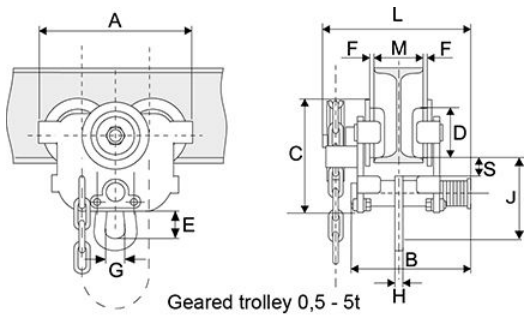
**Finish:** Black powder painted (Matt finish)

**Standard:** EN 13157

**Safety factor:** 4:1

Part Code	WLL ton	Beam width (mm)	Model	Minimum radius mm	A mm	B mm	C mm	D mm	E mm	F mm	G mm	H mm	J mm	L mm	S mm	Weight kg	Total price
16.05PGTS2005	0.5	50-135	PGT-S2	800	205	198	150	55	30	1,5 – 2	28	8	111	239	27	8	N/A
16.05PGTS2005B	0.5	130-215	PGT-S2	800	205	278	150	55	30	1,5 – 2	28	8	111	319	27	8	N/A
16.05PGTS2005C	0.5	215-300	PGT-S2	800	205	363	150	55	30	1,5 – 2	28	8	111	404	27	8	N/A
16.05PGTS2010	1	55-140	PGT-S2	1,000	242	211	174	68	30	1,5 – 2	32	10	118	254	28	12.4	N/A
16.05PGTS2010B	1	140-215	PGT-S2	1,000	242	286	174	68	30	1,5 – 2	32	10	118	329	28	12.4	N/A
16.05PGTS2010C	1	215-300	PGT-S2	1,000	242	371	174	68	30	1,5 – 2	32	10	118	414	28	12.4	N/A
16.05PGTS2020	2	65-155	PGT-S2	1,100	270	238	194	80	49	1,5 – 2	40	12	147	277	27	18.1	N/A
16.05PGTS2020B	2	150-230	PGT-S2	1,100	270	313	194	80	49	1,5 – 2	40	12	147	352	27	18.1	N/A
16.05PGTS2020C	2	230-300	PGT-S2	1,100	270	383	194	80	49	1,5 – 2	40	12	147	422	27	18.1	N/A
16.05PGTS2030	3	90-160	PGT-S2	1,300	325	246	234	100	60	2 – 3	49	14	177	287	29	30.3	N/A
16.05PGTS2030B	3	160-230	PGT-S2	1,300	325	316	234	100	60	2 – 3	49	14	177	357	29	30.3	N/A
16.05PGTS2030C	3	230-300	PGT-S2	1,300	325	386	234	100	60	2 – 3	49	14	177	427	29	30.3	N/A
16.05PGTS2050	5	90-180	PGT-S2	1,500	370	280	267	110	79	2 – 3	59	16	219	320	29	46.5	N/A
16.05PGTS2050B	5	180-230	PGT-S2	1,500	370	330	267	110	79	2 – 3	59	16	219	370	29	46.5	N/A
16.05PGTS2050C	5	230-300	PGT-S2	1,500	370	400	267	110	79	2 – 3	59	16	219	440	29	46.5	N/A

# Blueprint



Geared trolley 0,5 - 5t