

Concrete Lifter HDF

Product information

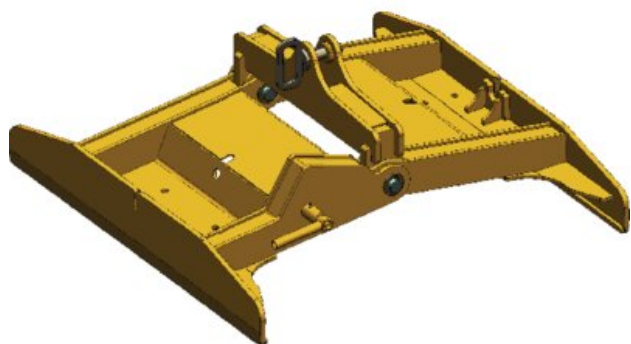


General: For lifting of concrete plates type HDF i a horisontal position and for standard HDF-plates of 1200 mm in width. The HDF-lifter can be used as a single lifter or in pair together with a spreader beam. Easy opened by the handle and automatic locking when fitted to the concrete plate. Dilivered with security chain to be used with the clamp.

Material: Plate of high strength structural steel.

Marking: WLL and CE-marking.

Finish: Yellow painted.



WLL	L mm	B mm	H mm	K mm	Weight kg	Delivery time
2.75	1180-1235	600	350-440	1130-1143	180	10
3.5	1180-1235	1,250	350-440	1130-1143	210	10
5	1180-1235	2,000	350-440	1130-1143	260	10

Blueprint

